

BUS: 3-way flanged valve, PN 40 (el.)

How energy efficiency is improved

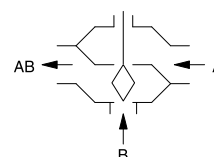
Efficiency means precise and reliable control

Features

- Continuous control of cold/warm/hot water in HVAC installations in closed circuits
- In combination with valve actuators AVM 234S and AVF 234S as control unit
- Water quality as per VDI 2035
- Not suitable for drinking water
- Valve with flange connection as per EN 1092-2, seal form B
- Regulating valve, free of silicone grease, matt black
- Control passage, linear characteristic DN 15...100; adjustable with SUT (SAUTER Universal Technology) valve actuators to equal-percentage
- Control passage, equal-percentage characteristic, DN 125...150; adjustable with SUT actuators to linear or quadratic
- Mixing passage, linear characteristic
- The control passage is closed when the spindle is moved out
- For use only as a control valve
- Valve body made of cast steel
- Stainless-steel seat and plug
- Stainless-steel spindle
- Maintenance-free stuffing box, made of stainless steel, with spring-loaded PTFE washer up to 220 °C, with graphite seal up to 260 °C



BUS015F2*5



Technical data

Parameters

Nominal pressure	PN 40
Connection	Flange as per EN 1092-2, form B
Control ratio	> 30 : 1
Valve characteristic, mixing passage	Linear
Leakage rate, control passage	≤ 0.05% of K_{VS} value
Leakage rate, mixing passage	≤ 1.0% of K_{VS} value

Ambient conditions

Operating temperature ¹⁾	-10...260 °C
Operating pressure	40 bar at -10...50 °C 36.3 bar at 120 °C 29.4 bar at 220 °C 27.8 bar at 260 °C

Standards and directives

Pressure and temperature data	EN 764, EN 1333
Flow parameters	EN 60534

Overview of types

Type	Nominal diameter	K_{VS} value	Valve characteristic, control passage	Valve stroke	Weight
BUS015F225	DN 15	1.6 m³/h	Linear	20 mm	7.2 kg
BUS015F215	DN 15	2.5 m³/h	Linear	20 mm	7.2 kg
BUS015F205	DN 15	4 m³/h	Linear	20 mm	7.2 kg
BUS020F205	DN 20	6.3 m³/h	Linear	20 mm	8.4 kg
BUS025F205	DN 25	10 m³/h	Linear	20 mm	9.4 kg
BUS032F205	DN 32	16 m³/h	Linear	20 mm	12.4 kg
BUS040F205	DN 40	25 m³/h	Linear	20 mm	15.5 kg

¹⁾ No stuffing box heater required down to -10 °C. At temperatures below -10 °C and down to -60 °C, use special version with bellows seal (available on request, only to DN 100). Application: Water with anti-freeze (glycol up to 55% and brine solution), max. operating pressure 30 bar. Above 130 °C or 180 °C, use the relevant adapter (accessory). Above 220 °C and up to 260 °C, use stuffing box with graphite seal (accessory).



Type	Nominal diameter	K_{VS} value	Valve characteris- tic, control pas- sage	Valve stroke	Weight
BUS050F205	DN 50	40 m ³ /h	Linear	20 mm	19.2 kg
BUS065F205	DN 65	63 m ³ /h	Linear	30 mm	27.6 kg
BUS080F205	DN 80	100 m ³ /h	Linear	30 mm	36.5 kg
BUS100F205	DN 100	160 m ³ /h	Linear	30 mm	61.2 kg
BUS125F305	DN 125	220 m ³ /h	Equal-percentage	40 mm	82.5 kg
BUS150F305	DN 150	320 m ³ /h	Equal-percentage	40 mm	113.5 kg

Accessories

Type	Description
0372336180	Adaptor (required when temperature of the medium is 130...180 °C)
0372336240	Adaptor (required when temperature of the medium is 180...260 °C)
0378373001	Stuffing box with graphite seal for temperatures of 220...260 °C; DN 15...50
0378373002	Stuffing box with graphite seal for temperatures of 220...260 °C; DN 65...100
0378373003	Stuffing box with graphite seal for temperatures of 220...260 °C; DN 125...150

Combination of BUS with electrical actuators

i *Warranty: The technical data and pressure differences indicated here are applicable only in combination with SAUTER valve actuators. The warranty does not apply if used with valve actuators from other manufacturers.*

i *Definition of Δp_s : Maximum admissible pressure drop in the event of a malfunction (pipe break after the valve) at which the actuator reliably closes the valve by means of a return spring.*

i *Definition of Δp_{max} : Maximum admissible pressure drop in control mode at which the actuator reliably opens and closes the valve.*

Pressure differences

Actuator	AVM322F120 AVM322F122	AVM322SF132	AVM234SF132	AVF234SF132	AVF234SF232
Actuating power	1000 N	1000 N	2500 N	2000 N	2000 N
Control signal	2-/3-point	2-/3-point, 0...10 V, 4...20 mA	2-/3-point, 0...10 V, 4...20 mA	2-/3-point, 0...10 V, 4...20 mA	2-/3-point, 0...10 V, 4...20 mA
Running time DN 15...50	120/240 s	80/120 s	40/80/120 s	40/80/120 s	40/80/120 s
Running time for DN 65...100	–	–	60/120/180 s	60/120/180 s	60/120/180 s
Running time for DN 125, DN 150	–	–	80/160/240 s	80/160/240 s	80/160/240 s

Δp [bar]

As control valve	Δp_{max}	Δp_{max}	Δp_{max}	Δp_{max}	Δp_s	Δp_{max}	Δp_s
BUS015F225							
BUS015F215	35.0	35.0	40.0	40.0	40.0	40.0	40.0
BUS015F205							
BUS020F205	35.0	35.0	40.0	34.7	40.0	34.7	40.0
BUS025F205	17.4	17.4	37.8	29.6	37.0	29.6	37.0
BUS032F205	12.2	12.2	27.0	21.1	27.0	21.1	27.0
BUS040F205	6.2	6.2	16.4	12.8	16.0	12.8	16.0
BUS050F205	3.7	3.7	10.5	8.2	10.0	8.2	10.0
BUS065F205	–	–	6.1	4.7	6.1	4.7	6.1
BUS080F205	–	–	3.9	3.0	3.9	3.0	3.9
BUS100F205	–	–	2.5	1.9	2.5	1.9	2.5
BUS125F305	–	–	1.7	1.3	1.7	1.3	1.7
BUS150F305	–	–	1.2	0.9	1.2	0.9	1.2

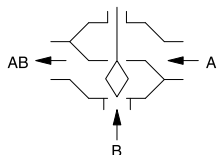
Cannot be used as distribution valve

☛ At temperatures above 130 °C, accessories are required

Description of operation

The valve can be moved to any intermediate position with an electric actuator. When the spindle is moved out, the control passage of the valve is closed. These valves may only be used as control valves. Observe the direction of flow shown on the valve. The flow parameters correspond to EN 60534.

Used as a control valve



These regulating valves are characterised by their reliability and precision and make an important contribution towards efficient regulation. They meet difficult challenges such as spring-controlled closing functions, overcoming high differential pressures, controlling media temperatures and performing the shut-off function, all with a low noise level.

The valve spindle is automatically and firmly connected to the actuator spindle. The stainless steel plug controls the linear or equal-percentage flow rate in the control passage. The tightness of the valve is ensured by the stainless steel ring pressed into both seats and the corresponding plug. The stuffing box is maintenance-free. This consists of tapered PTFE rings and a spring. The spring ensures permanent tension on the seals, thus guaranteeing that they are leaktight against the spindle. In addition, a grease reserve ensures that the spindle is constantly lubricated. The grease reserve also stops particles that are present in the medium from penetrating to the PTFE seal.

Intended use

This product is only suitable for the purpose intended by the manufacturer, as described in the "Description of operation" section.

All related product regulations must also be adhered to. Changing or converting the product is not admissible.

Engineering and fitting notes

The valves are combined with the AVM 322(S) or AVM 234S valve actuators without a spring return or with the AVF 234S valve actuators with a spring return. The actuator is mounted directly on the valve and fastened with screws. The actuator is connected with the valve spindle automatically. During the commissioning of the system, the AVM 322(S), AVM 234S and AVF 234S actuators move out. The connector automatically closes the connection to the valve as soon as it reaches the lower valve seat. The stroke of the valve is also detected by the actuator, and no further adjustments are required. Therefore the force on the seat is always the same and the smallest amount of leakage is ensured. With the SUT actuators, the characteristic can be set to linear, equal-percentage or quadratic as required. For a more detailed description, see PDS 51.379 "Initialisation and feedback signal". To increase the functional reliability of the valves, the system should conform to DIN EN 14336 (heating systems in buildings). DIN EN 14336 states, amongst other things, that the system has to be flushed through before being put into service.

Additional technical data

SAUTER slide rule for valve sizing	P100013496
Technical manual on control units	7 000477 001
Parameters, fitting notes, control, general information	Applicable EN, DIN, AD, TRD and accident prevention regulations
CE conformity as per PED 2014/68/EU (fluid group II) BUS 015...150: CE-0525 label	Category II
Fitting instructions:	
BUS:	MV 506071
AVM 322	P100011900
AVM 234S	MV 505919
AVF 234S	MV 505920

AVN 224S	MV 505927
Declaration on materials and the environment	MD 56.126

Fitting position

The control unit can be fitted in any position, but the hanging position is not recommended. Condensate, drops of water, etc. must be prevented from entering the actuator. With horizontal installation and no structural support for the actuator, the maximum admissible weight on the valve is 25 kg.

At a media temperature

- **Up to 130 °C:**
 - In any position except suspended.
- **Over 130 °C:**
 - At temperatures of over 130 °C or over 180 °C, a horizontal fitting position is recommended, and the appropriate adapter for the temperature must be used. The adapter can also be used as an extension to come out of the pipe insulation with the actuator. To protect the actuator from excessive heat, the piping must be insulated.

When the actuator is mounted on the valve, make sure the plug is not twisted on the stainless steel seat (this can damage the sealing surface). When insulating the valve, it may only be insulated up to the connecting clip of the actuator.

Outdoor installation

We recommend protecting the devices from the weather if they are installed outside buildings.

Using with water

So that impurities are retained in the water (welding beads, rust particles, etc.) and the spindle seal is not damaged, we recommend installing collecting filters, for example one for each floor or pipe run. Requirements for water quality as per VDI 2035.

When using an additive in the water, the compatibility of the valve materials must be checked with the manufacturer of the medium. The materials table shown below may be used. When using glycol we recommend a concentration between 20% and 55%.

Other information regarding hydraulics and noise in systems

The valves can be used in a low-noise environment. To prevent noise, the pressure differences Δp_{\max} listed below should not be exceeded. These are listed as recommended values in the table of pressure losses.

The pressure difference Δp_v is the maximum pressure that may act on the valve regardless of the stroke position, in order that the risk of cavitation and erosion is limited. These values are irrespective of the actuator force. The cavitation accelerates wear on the plug and seat in the valve and causes noises. To prevent cavitation, the differential pressure on the valve should not exceed the value Δp_{crit} :

$$\Delta p_{\text{crit}} = (p_1 - p_v) \times 0.5$$

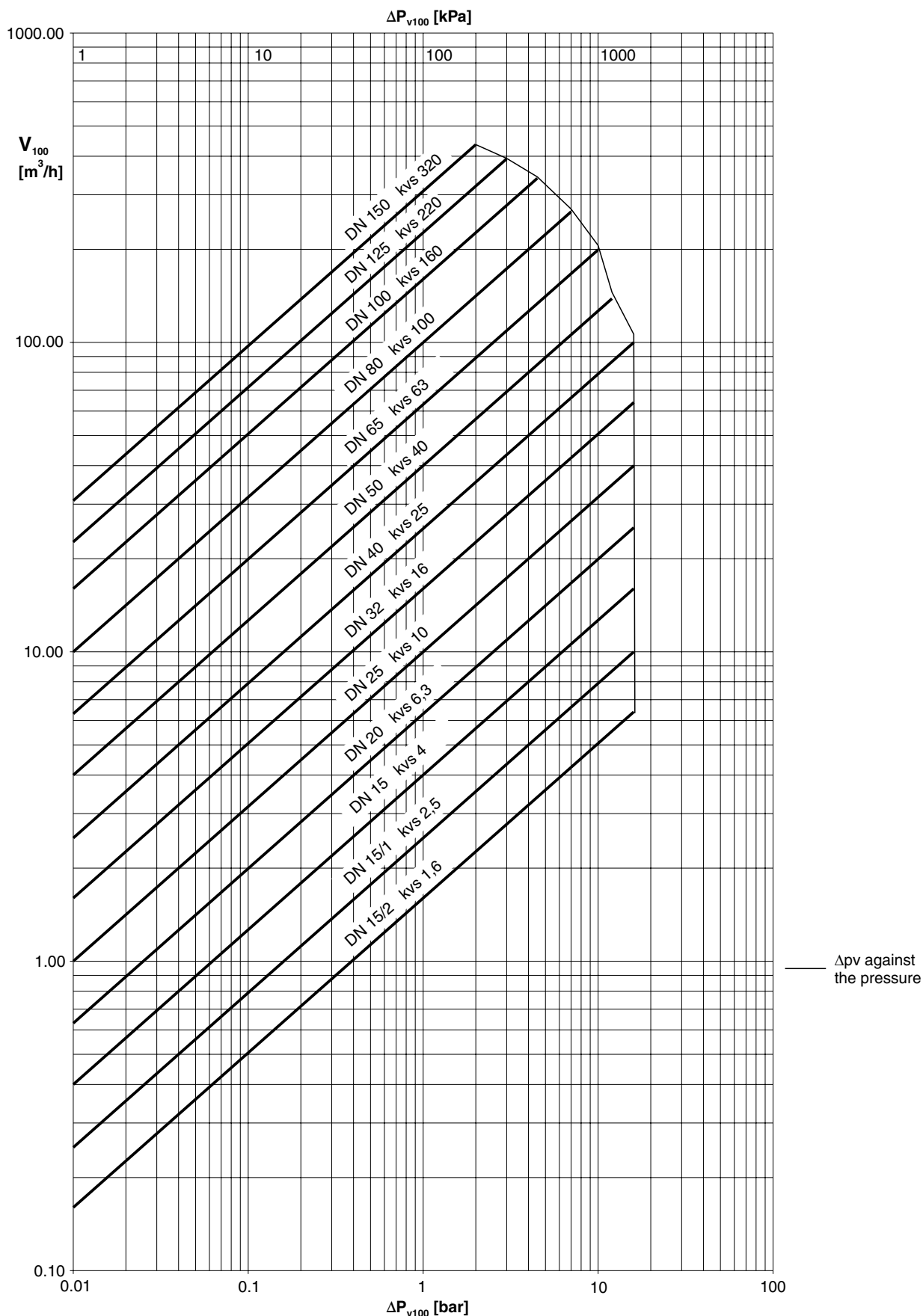
p_1 = upstream pressure before the valve (bar)

p_v = steam pressure at operating temperature (bar)

The calculation works with absolute pressure.

For the spring return, the stated Δp_s values are also the permissible differential pressure up to which the actuator can guarantee that the valve is closed in the event of an incident. Because this is an emergency function with a fast stroke movement (using a spring), this value can exceed Δp_{\max} .

Flow-rate chart



Type	Δpv	
	Used as control valve [bar]	Used as distribution valve [bar]
BUS015F225	40	-

Type	Δp_v	
BUS015F215	40	-
BUS015F205	40	-
BUS020F205	40	-
BUS025F205	40	-
BUS032F205	40	-
BUS040F205	40	-
BUS050F205	30	-
BUS065F205	30	-
BUS080F205	25	-
BUS100F205	25	-
BUS125F305	15	-
BUS150F305	15	-

Additional version information

Valve body made of cast steel as per DIN EN 10213, code GP240GH+N, material number 1.0619+N with smooth drilled flanges as per EN 1092-1, seal form B. Valve body protected by matt paint RAL 9005 black. Recommended for the welding flange as per EN 1092-1. Valve fitting length as per EN 558-1, basic series 1. Flat seal on valve body made of asbestos-free material. PTFE collar and sealing ring for stuffing box available as spare part no. 0378372

Material numbers as per DIN

	DIN material no.	DIN designation
Valve body	1.0619+N	GP240GH+N
Valve seat	1.4021	X20Cr13
Spindle	1.4021	X20Cr13
Plug	1.4021	X20Cr13
Stuffing box	1.4021	X20Cr13
Seal under stuffing box	Cu	DIN 7603

Additional details on the definitions of pressure difference

Δp_v :

Maximum admissible pressure difference over the valve at every stroke position, limited by noise level and erosion.

With this parameter, the valve is characterised as a flow element with specific hydraulic behaviour. Monitoring the cavitation and erosion along with the associated noise increases the service life and the operational capacity.

Δp_{max} :

Maximum admissible pressure difference over the valve at which the actuator can reliably open and close the valve.

Static pressure and flow effects are considered. This value ensures trouble-free stroke movement and closing of the valve. The value Δp_v of the valve is never exceeded.

Δp_s :

Maximum admissible pressure difference over the valve in the event of a malfunction (e.g. power failure, excessive temperature or pressure, pipe break) at which the actuator can close the valve tightly and, if necessary, maintain the entire operating pressure against atmospheric pressure. Because this is a quick-closing function with a rapid stroke movement, Δp_s can be greater than Δp_{max} or Δp_v . The disruptive flow effects that arise here are quickly passed through and are of minor importance in this method of operation.

For 3-way valves, the values only apply to the control passage.

Δp_{stat} :

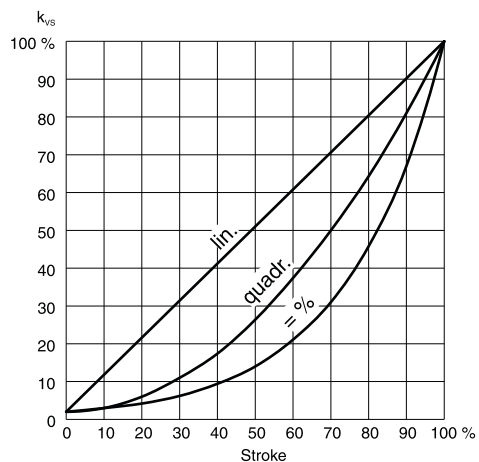
Line pressure behind the valve. This essentially corresponds to the idle pressure when the pump is switched off, caused for example by the fluid level in the system, increased pressure due to pressure tanks, steam pressure, etc.

For valves that close with pressure, the static pressure plus the pump pressure are used.

Characteristic for actuators with positioner (only 24 V)

On actuator AVM 322(S), AVM 234S, AVF 234S or AVN 224S

Equal-percentage/linear/quadratic

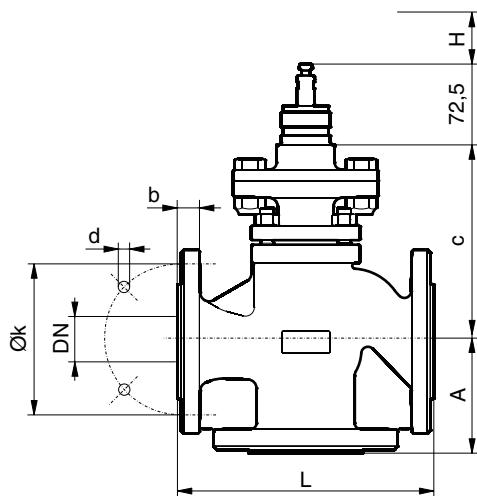


Can be set using coding switch

Disposal

When disposing of the product, observe the currently applicable local laws. More information on materials can be found in the Declaration on materials and the environment for this product.

Dimension drawing

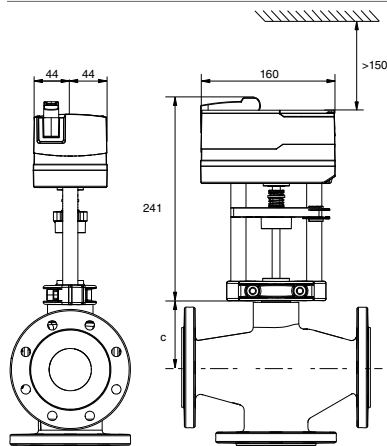


BUS	DN	A	c	L	H	k	d	b
015	15	65	143	130	20	65	14 x 4	16
020	20	70	143	150	20	75	14 x 4	18
025	25	75	147	160	20	85	14 x 4	18
032	32	80	173	180	20	100	19 x 4	18
040	40	90	179	200	20	110	19 x 4	18
050	50	100	177	230	20	125	19 x 4	20
065	65	120	213	290	30	145	19 x 8	22
080	80	130	229	310	30	160	19 x 8	24
100	100	150	248	350	30	190	23 x 8	24
125	125	200	295	400	40	220	28 x 8	26
150	150	210	357	480	40	250	28 x 8	28

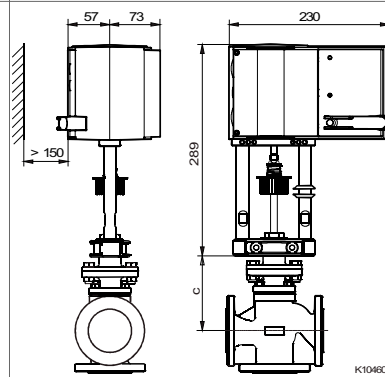
M10462a

Combinations

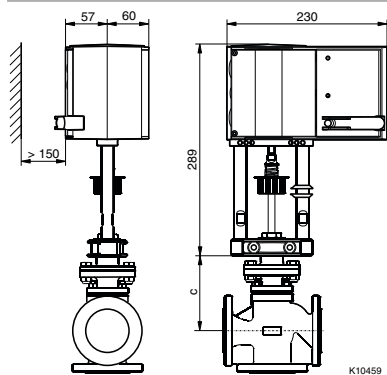
AVM 322(S)



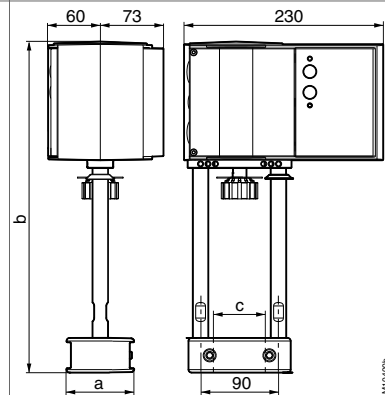
AVM 234S



AVF 234S

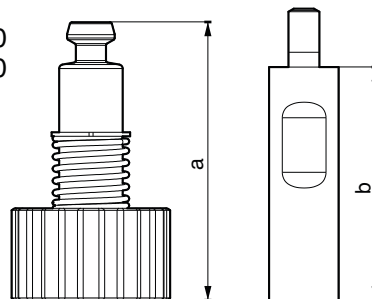


AVN 224S



Accessories

0372336 180
0372336 240



0372336	T (°C)	a (mm)	b (mm)
180	180	69,4	60
240	240	109,4	100